

**General Data**

Model:	COMPATTA 4 T
Code:	2000034
Series:	Compatta
Weight [Kg]	21.00
Submersible pump for sewage with suspended solids	

**Hydraulic**

Impeller Type:	Vortex Impeller
Delivery DN [mm]:	G 2"
Input DN [mm]:	50
Free Passage [mm]:	50
Impeller Ø [mm]:	113
Max Pump Efficiency [%]:	29.90
Global Efficiency [%]:	23.8
Head [m]:	8.34
Flow [m <sup>3</sup> /h]:	14.40

*Tolerance according to ISO 9906:2012 3B2*

**Features**

Upper Meccanical seal:	Lips seal
Lower Meccanical Seal:	Silicon Carbide/Ceramic/Viton
Upper Bearing:	Single raw ball bearing
Lower Bearing:	Single raw ball bearing
IP Protection:	IP68
Motor protection:	not present
Humidity sensor:	not present
ATEX:	not present
Applied Paint:	Two component water-based paint
Cable Length [m]:	10
Lubricating Oil:	-
Oil Quantity [Kg]:	-

**Materials**

Pump:	Cast Iron EN 1561 EN-GJL-200
Impeller:	Cast iron EN 1561 EN-GJL-200
Motor shaft:	Stainless steel AISI 420
Cooling Jacket:	Not available
Screw:	Stainless steel A2-70
Cable:	H07RN8F

**Pumped Liquid**

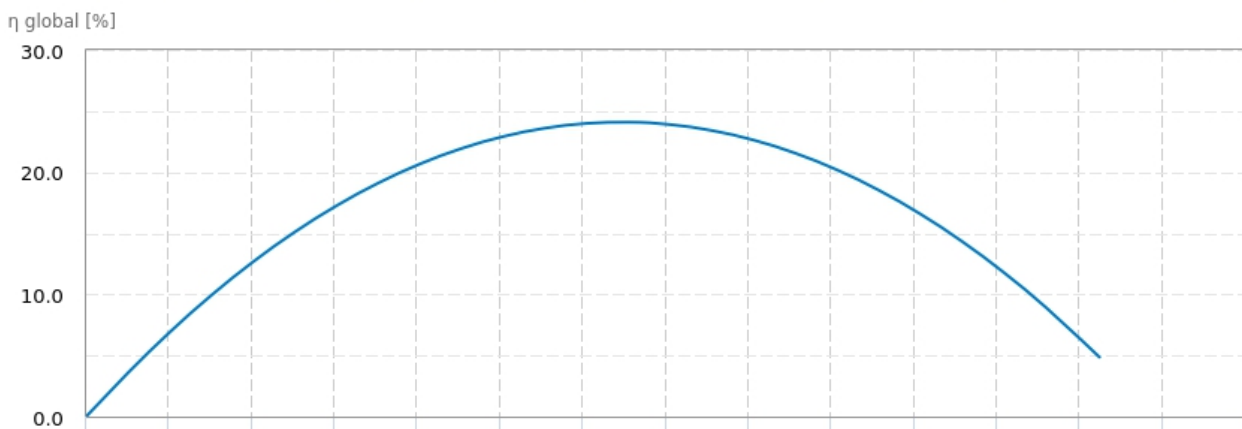
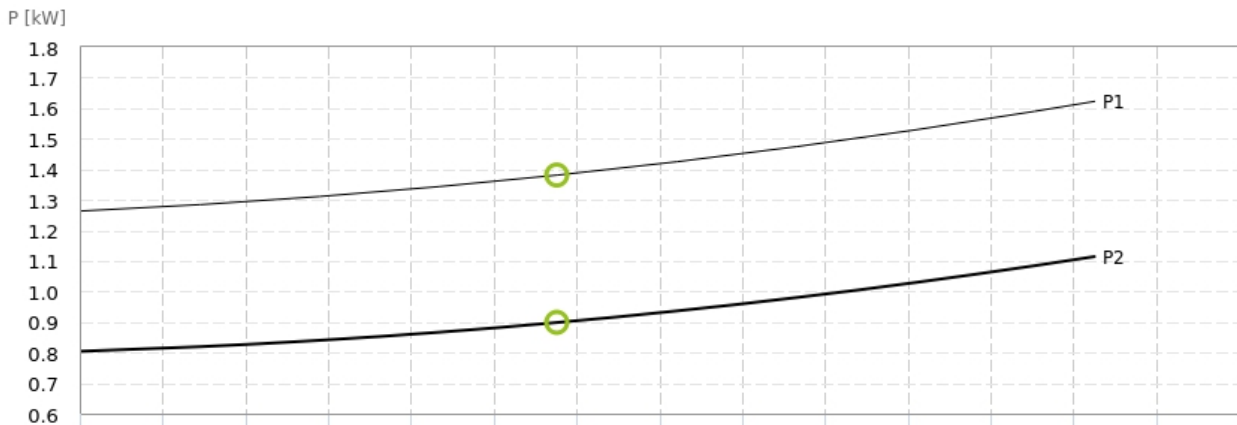
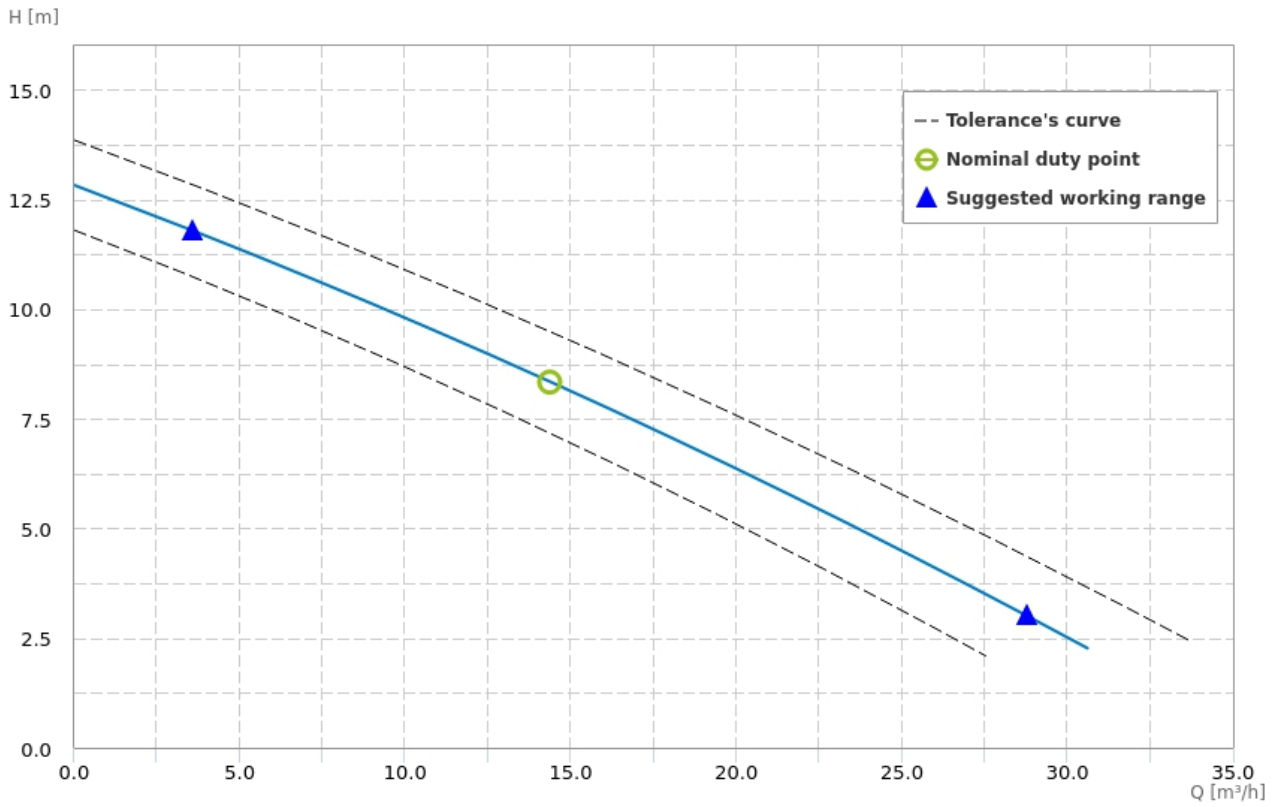
Pumped Liquid:	Sewage
Density [Kg/dm <sup>3</sup> ]:	1.1
pH:	6-10
Temperature Range:	0-40°C

**Installation**

Maximum depth of immersion [m]:	20
Cooling Type:	The cooling of the motor is ensured by the surrounding liquid
Installation:	Vertical/Horizontal
Floating on board machine:	not present



Attention: pictures for illustrative purposes

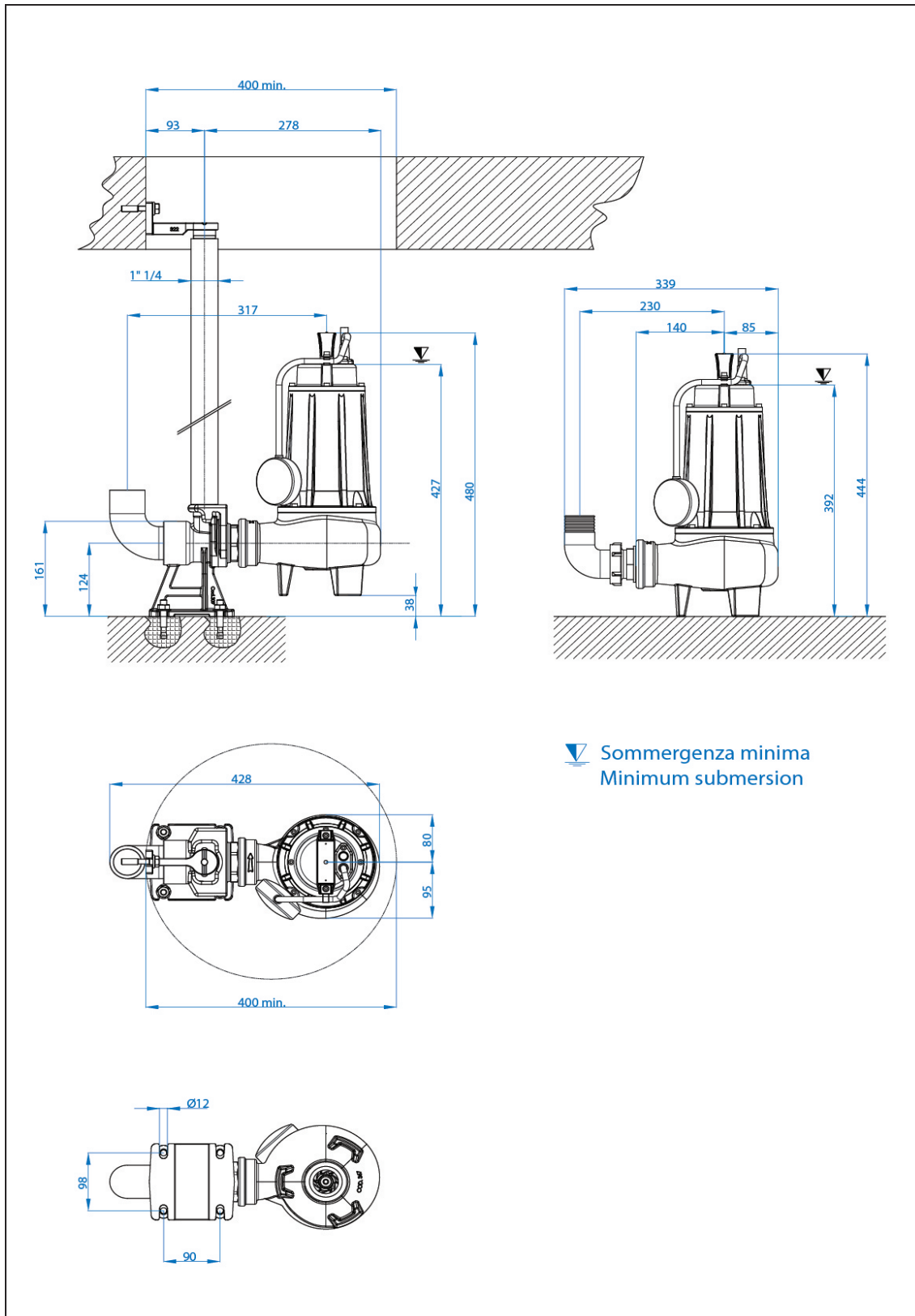


**Motor**

Motor code:	3520160220
Power P1 [kW]:	1.62
Power P2 [kW]:	1.10
Phases:	3
Frequency [Hz]:	50
Tension [V]:	400
Nominal current [A]:	2.9
Starting current [%]:	518.0
Power Factor:	0.79
R.P.M.:	2850
Starting:	D.O.L
Capacitor [ $\mu$ F]:	-
Insulation Class:	F 155°C
Service type:	S2
Max Efficiency [%]:	79.70
Max Efficiency at full load [%]:	79.0
Efficiency at $\frac{3}{4}$ load [%]:	79.6
Efficiency at $\frac{1}{2}$ load [%]:	79.6
Efficiency class:	-

**Wiring diagrams**

### Dimensions drawing



▼ Sommergenza minima  
Minimum submersion