



DATA SHEET

12/09/2013

Page 1 / 3

DAB PUMPS S.p.A.
Via Marco Polo, 14 - 35035 Mestrino (PD), Italy
Tel. +39 049 5125000 - Fax +39 049 5125950
www.dabpumps.com

Receiver

From

Company Name
Reference
Address
Phone
Fax
E-mail

Item n° :

60143303

Model :

EVOTRON 60/130

Pump data

Pressure rating : 10 bar (1000 KPa)

Min. fluid temperature : -10 °C

Max. fluid temperature : 110 °C

Minimum suction head :

Temperature °C 90

Minimum suction head : m 10

Requested data

Flow : 0.00 m³/h

Head : 0.00 m

Fluid : Water, pure

Fluid Temperature : 20 °C

Density : 998.3 kg/m³

Kinematic viscosity : 1.005 mm²/s

Vapor pressure : 100.00 kPa

Hydraulic data (duty point)

Flow :

Head :

Materials

Pump body	Cast iron
Impeller	Ultrason
Motor shaft	Ceramic
Closing flange	Stainless steel
Seal ring	EPDM
Stator jacket	Stainless steel
Terminal box	Poly carbonate

Motor data

Motor brand : DAB

Power input P1 0.04173 kW

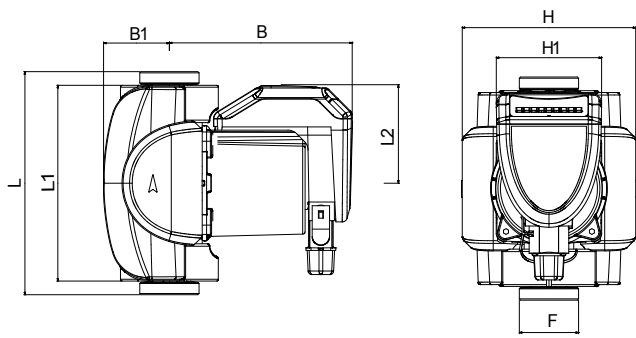
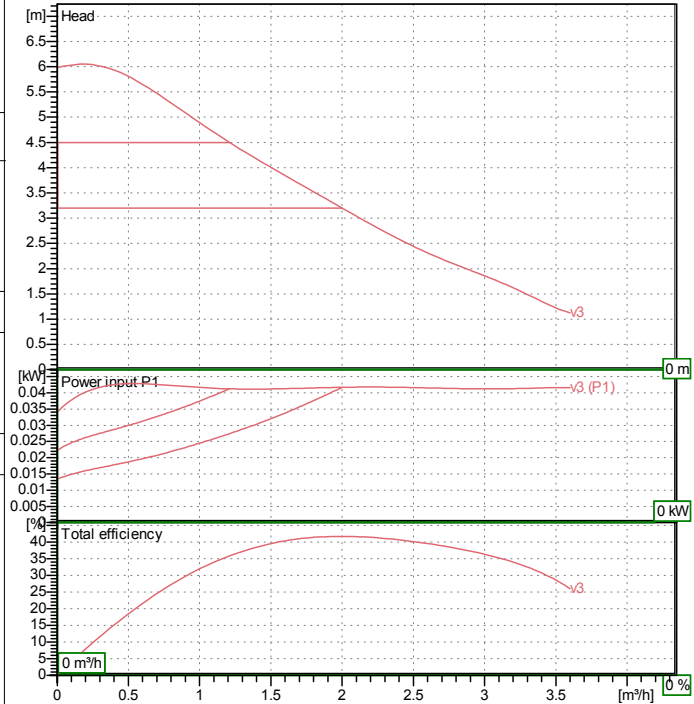
Rated speed: 2900 rpm

Rated voltage : 1~ 230 V 50 Hz

Nominal current : 0.4 A

Degree of protection : IP 44

Curve tolerance according to ISO 9906



Dimensions in mm

B	147.5	H1	85				
B1	53	L	130				
F	1"1/2	L1	158				
H	140	L2	79.5				

Weight : 2.7 kg

Pump connection

Suction side	1 " 1/2 G	10 bar (1000 KPa)
Discharge side	1 " 1/2 G	10 bar (1000 KPa)



PERFORMANCE CURVES

12/09/2013

Page 2 / 3

DAB PUMPS S.p.A.
Via Marco Polo, 14 - 35035 Mestrino (PD), Italy
Tel. +39 049 5125000 - Fax +39 049 5125950
www.dabpumps.com

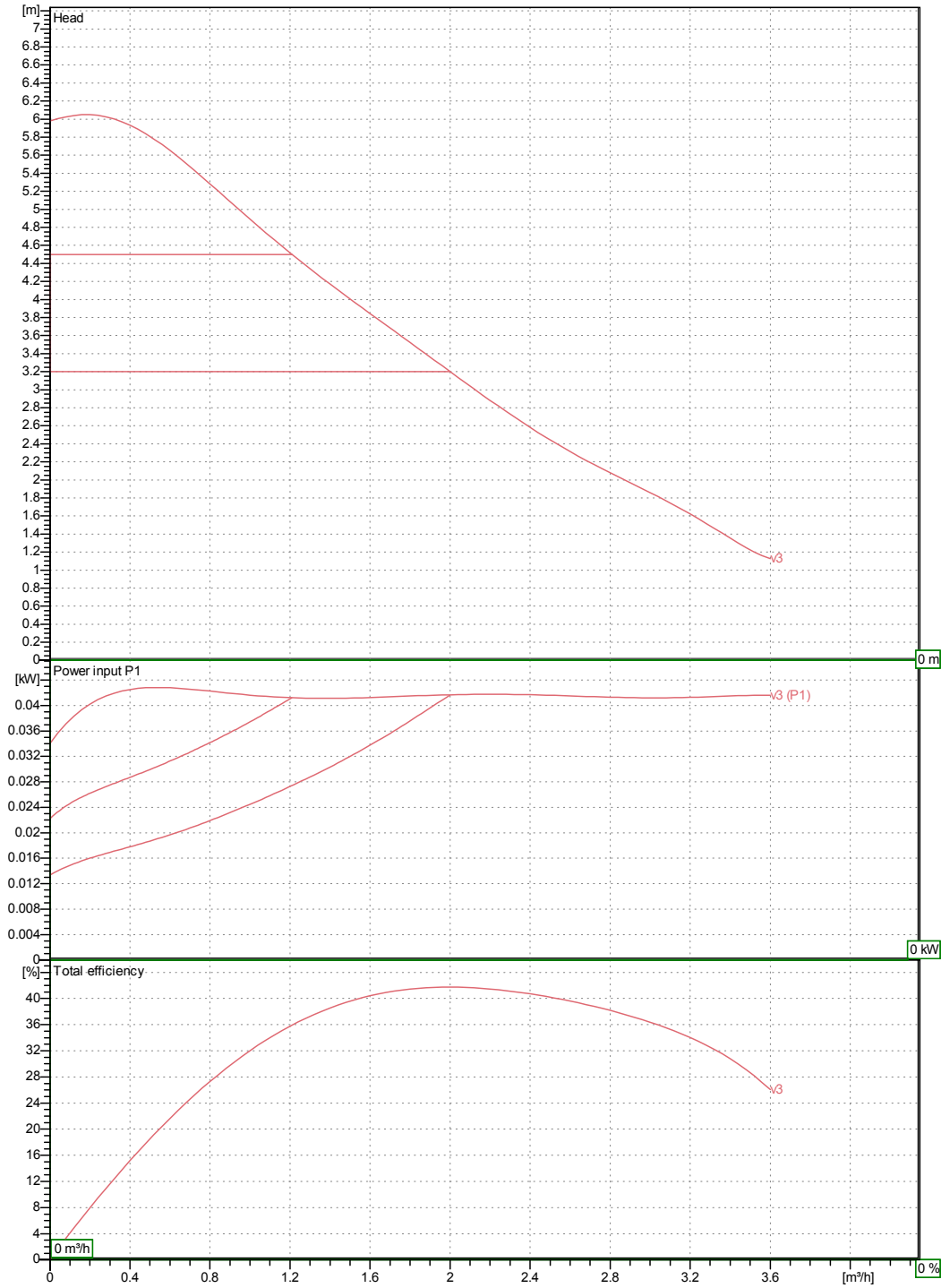
Receiver

From

Company Name
Reference
Address
Phone
Fax
E-mail

EVOTRON 60/130

Curve tolerance according to ISO 9906



Hydraulic data (duty point)

Suction side 1 " 1/2 G 10 bar (1000 KPa)	Discharge side 1 " 1/2 G 10 bar (1000 KPa)	Flow : 0 m³/h	Head : 0 m	Rated speed: 2900 rpm
Project	Project ID	Created by	Created on 12/09/2013	



DIMENSIONAL DRAWING

12/09/2013

Page 3 / 3

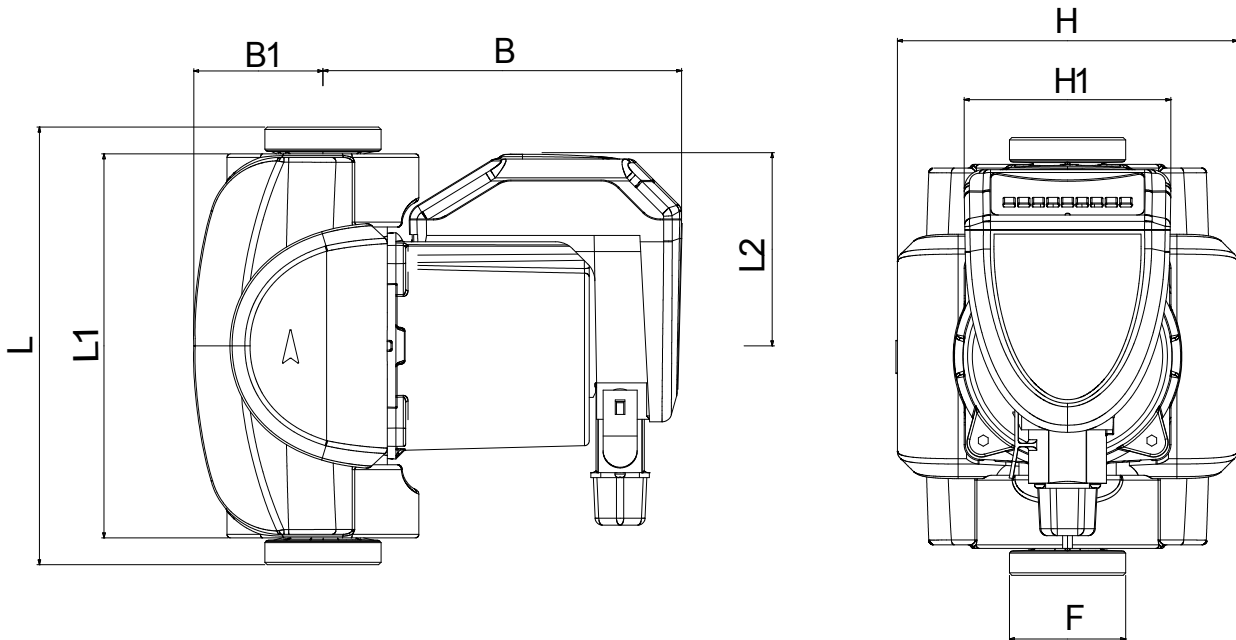
DAB PUMPS S.p.A.
Via Marco Polo, 14 - 35035 Mestrino (PD), Italy
Tel. +39 049 5125000 - Fax +39 049 5125950
www.dabpumps.com

Receiver

From

Company Name
Reference
Address
Phone
Fax
E-mail

EVOTRON 60/130



Dimensions in mm

Pump connection

Item	Dimension	Value							Pump connection
1	B	147.5							Suction 1 " 1/2 G 10 bar (1000 KPa) Discharge 1 " 1/2 G 10 bar (1000 KPa)
2	B1	53							
3	F	1"1/2							
4	H	140							
5	H1	85							
6	L	130							
7	L1	158							
8	L2	79.5							

Project	Project ID	Created by	Created on 12/09/2013
---------	------------	------------	---------------------------------