



# DATA SHEET

13/09/2013

Page 1 / 3

DAB PUMPS S.p.A.  
Via Marco Polo, 14 - 35035 Mestrino (PD), Italy  
Tel. +39 049 5125000 - Fax +39 049 5125950  
www.dabpumps.com

Receiver

From

Company Name  
Reference  
Address  
Phone  
Fax  
E-mail

**Item n° :**  
60143366  
**Model :**  
EVOTRON 40/150 SAN

**Pump data**

Pressure rating : 10 bar (1000 KPa)  
Min. fluid temperature : -10 °C  
Max. fluid temperature : 110 °C

**Minimum suction head :**

Temperature °C 90  
Minimum suction head : m 10

**Requested data**

Flow : 0.00 m³/h  
Head : 0.00 m  
Fluid : Water, pure  
Fluid Temperature : 20 °C  
Density : 998.3 kg/m³  
Kinematic viscosity : 1.005 mm²/s  
Vapor pressure : 100.00 kPa

**Hydraulic data (duty point)**

Flow :  
Head :

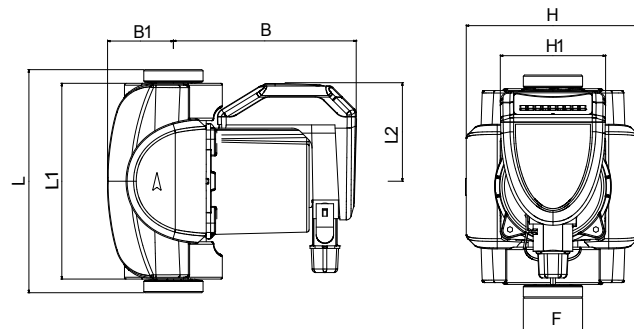
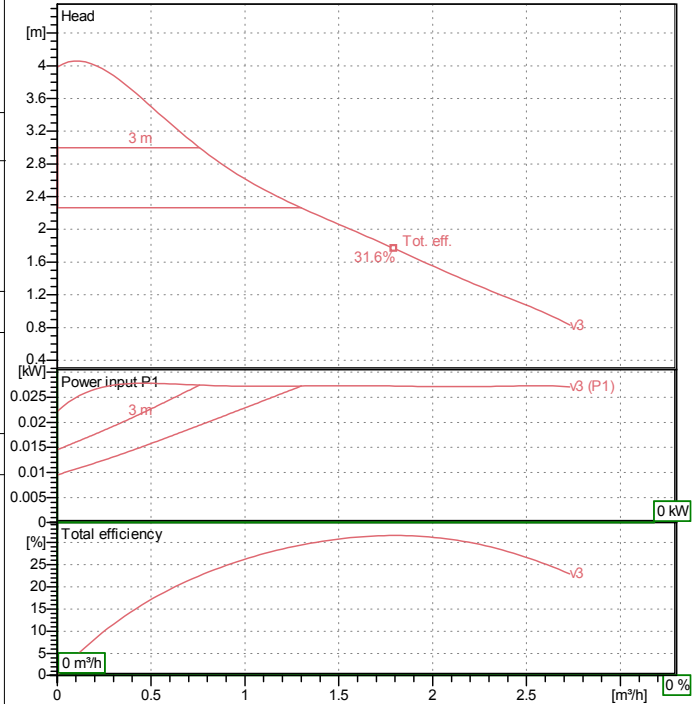
**Materials**

Pump body Bronze  
Impeller Ultrason  
Motor shaft Ceramic  
Closing flange Stainless steel  
Seal ring EPDM  
Stator jacket Stainless steel  
Terminal box Poly carbonate

**Motor data**

Motor brand : DAB  
Power input P1 0.027 kW  
Rated speed: 2900 rpm  
Rated voltage : 1~ 230 V 50 Hz  
Nominal current : 0.26 A  
Degree of protection : IP 44

**Curve tolerance according to ISO 9906**



**Dimensions in mm**

B	147.5	H1	85				
B1	53	L	150				
F	1"1/2	L1	158				
H	140	L2	79.5				

**Weight :** 3 kg

**Pump connection**

Suction side 1 " 1/2 G 10 bar (1000 KPa)  
Discharge side 1 " 1/2 G 10 bar (1000 KPa)



# PERFORMANCE CURVES

13/09/2013

Page 2 / 3

DAB PUMPS S.p.A.  
Via Marco Polo, 14 - 35035 Mestrino (PD), Italy  
Tel. +39 049 5125000 - Fax +39 049 5125950  
www.dabpumps.com

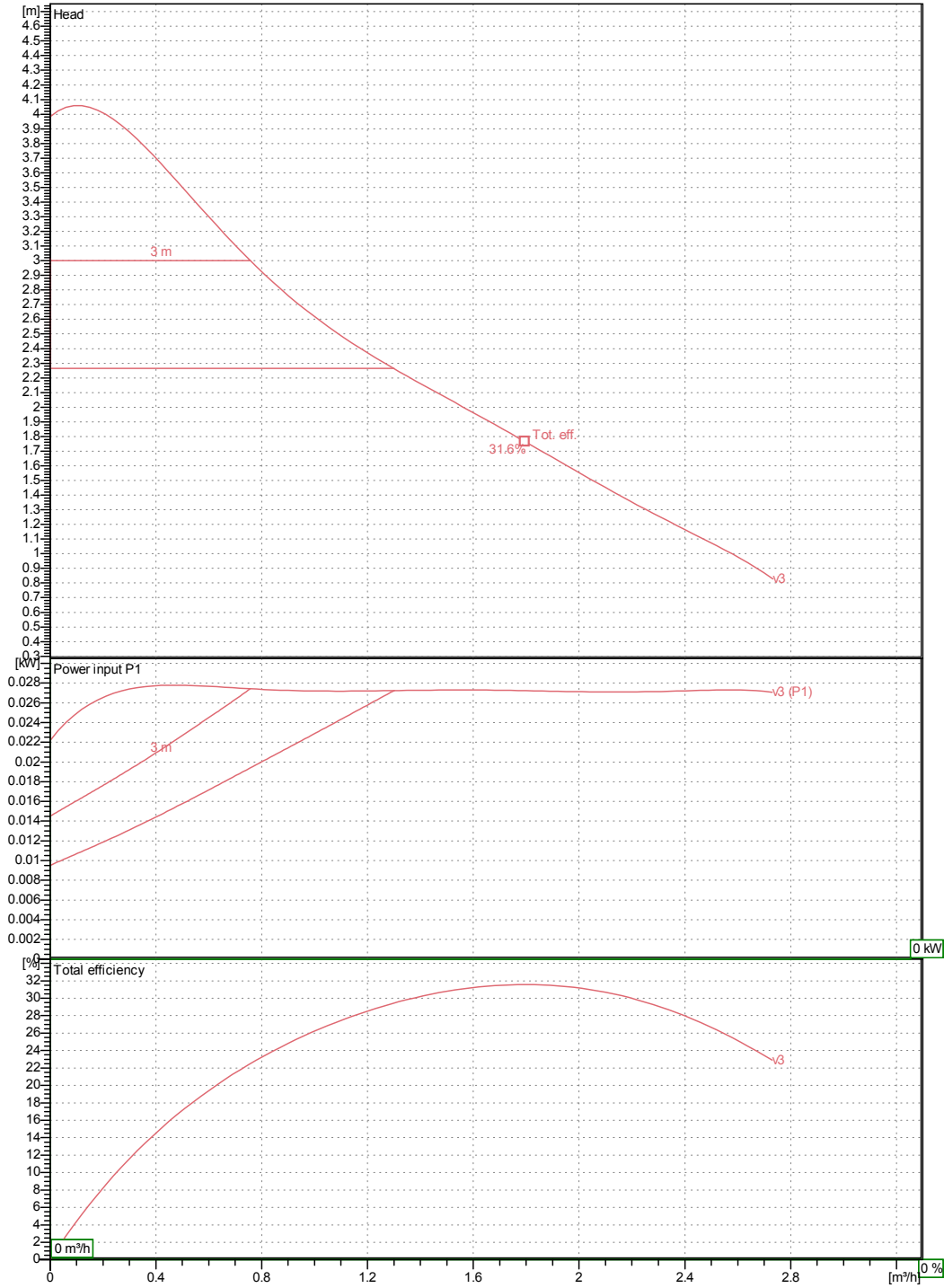
Receiver

From

Company Name  
Reference  
Address  
Phone  
Fax  
E-mail

## EVOTRON 40/150 SAN

Curve tolerance according to ISO 9906



### Hydraulic data (duty point)

Suction side 1 " 1/2 G 10 bar (1000 KPa)	Discharge side 1 " 1/2 G 10 bar (1000 KPa)	Flow : 0 m³/h	Head : 0 m	Rated speed: 2900 rpm
Project	Project ID	Created by	Created on <b>13/09/2013</b>	



# DIMENSIONAL DRAWING

13/09/2013

Page 3 / 3

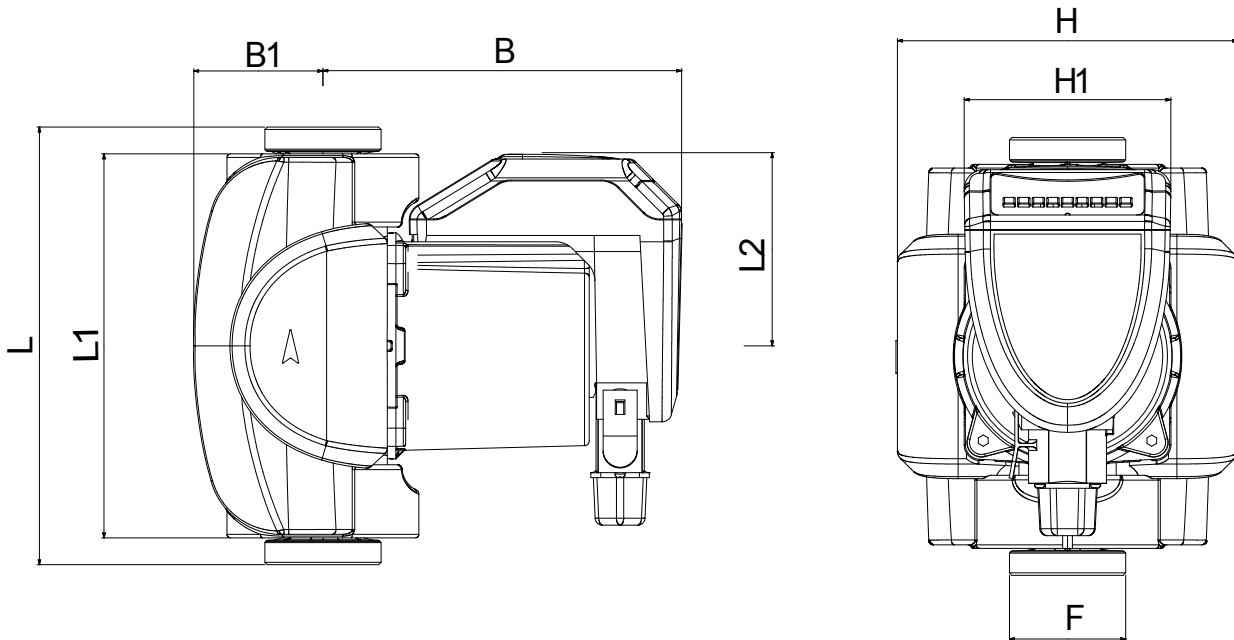
DAB PUMPS S.p.A.  
Via Marco Polo, 14 - 35035 Mestrino (PD), Italy  
Tel. +39 049 5125000 - Fax +39 049 5125950  
www.dabpumps.com

Receiver

From

Company Name  
Reference  
Address  
Phone  
Fax  
E-mail

## EVOTRON 40/150 SAN



### Dimensions in mm

### Pump connection

1	B	147.5									
2	B1	53									
3	F	1"1/2									Suction 1 " 1/2 G 10 bar (1000 KPa)
4	H	140									
5	H1	85									
6	L	150									Discharge 1 " 1/2 G 10 bar (1000 KPa)
7	L1	158									
8	L2	79.5									

Project

Project ID

Created by

Created on

13/09/2013