



DATA SHEET

13/09/2013

Page 1 / 3

DAB PUMPS S.p.A.
Via Marco Polo, 14 - 35035 Mestrino (PD), Italy
Tel. +39 049 5125000 - Fax +39 049 5125950
www.dabpumps.com

Receiver

From

Company Name
Reference
Address
Phone
Fax
E-mail

Item n° :
60143376
Model :
EVOTRON 60/180 SOL

Pump data

Pressure rating : 10 bar (1000 KPa)
Min. fluid temperature : -10 °C
Max. fluid temperature : 110 °C

Minimum suction head :

Temperature °C 90
Minimum suction head : m 10

Requested data

Flow : 0.00 m³/h
Head : 0.00 m
Fluid : Water, pure
Fluid Temperature : 20 °C
Density : 998.3 kg/m³
Kinematic viscosity : 1.005 mm²/s
Vapor pressure : 100.00 kPa

Hydraulic data (duty point)

Flow : 0.00 m³/h
Head : 0.00 m

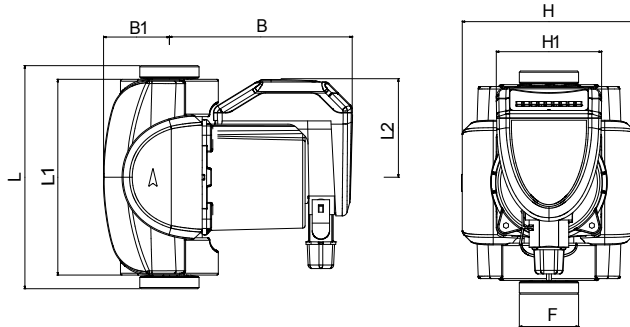
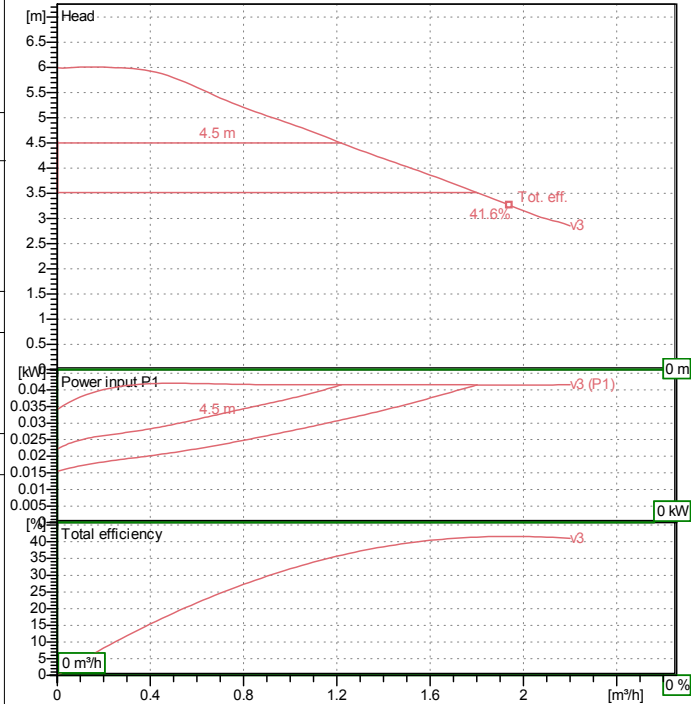
Materials

Pump body Cast iron
Impeller Ultrason
Motor shaft Ceramic
Closing flange Stainless steel
Seal ring EPDM
Stator jacket Stainless steel
Terminal box Poly carbonate

Motor data

Motor brand : DAB
Power input P1 0.04173 kW
Rated speed: 2900 rpm
Rated voltage : 1~ 230 V 50 Hz
Nominal current : 0.4 A
Degree of protection : IP 44

Curve tolerance according to ISO 9906



Dimensions in mm

B	147.5	H1	85				
B1	53	L	180				
F	1"1/2	L1	158				
H	140	L2	79.5				

Weight : 2.9 kg

Pump connection

Suction side 1 " 1/2 G 10 bar (1000 KPa)
Discharge side 1 " 1/2 G 10 bar (1000 KPa)



PERFORMANCE CURVES

13/09/2013

Page 2 / 3

DAB PUMPS S.p.A.
Via Marco Polo, 14 - 35035 Mestrino (PD), Italy
Tel. +39 049 5125000 - Fax +39 049 5125950
www.dabpumps.com

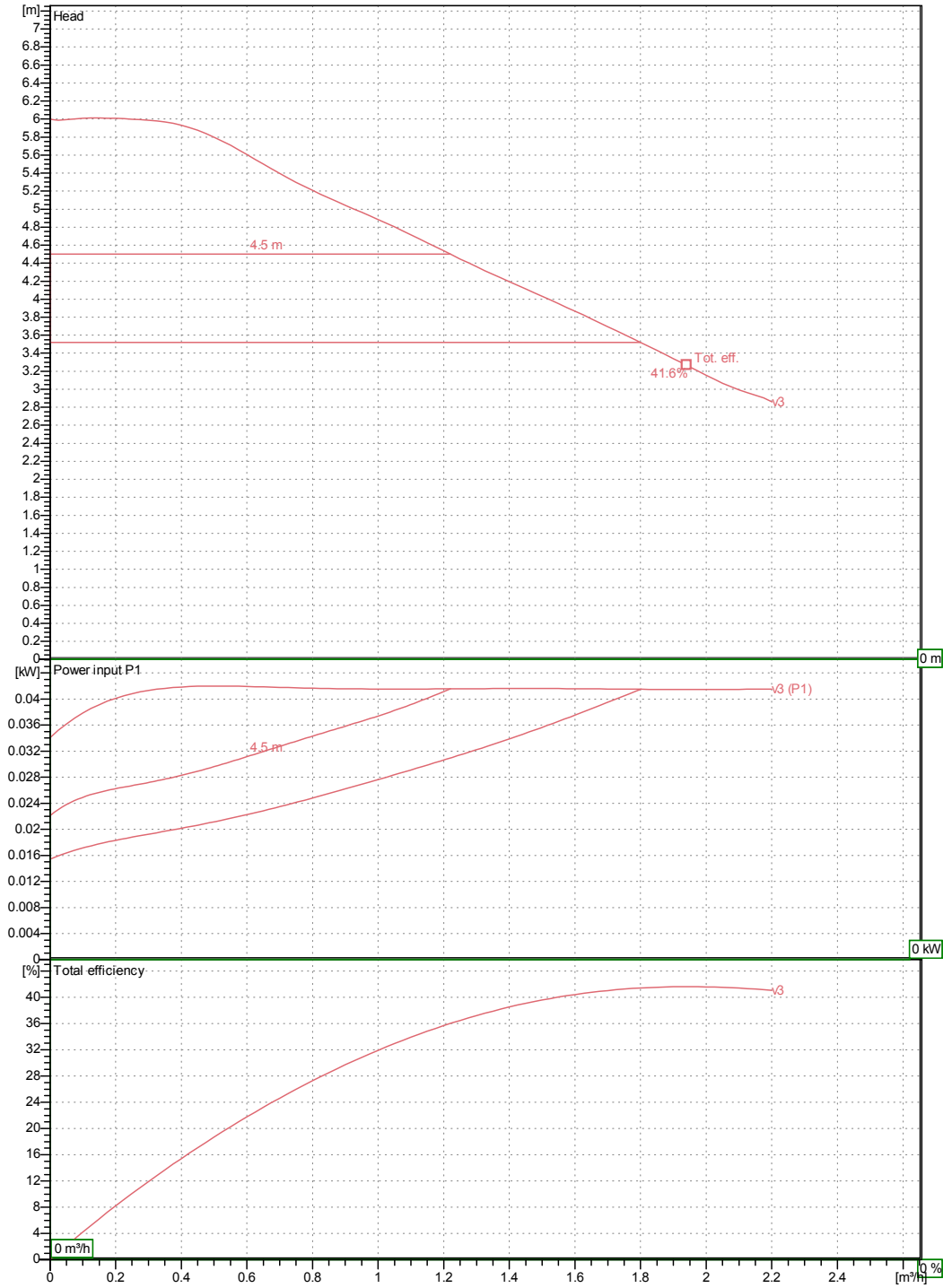
Receiver

From

Company Name
Reference
Address
Phone
Fax
E-mail

EVOTRON 60/180 SOL

Curve tolerance according to ISO 9906



Hydraulic data (duty point)

Suction side 1 " 1/2 G 10 bar (1000 KPa)	Discharge side 1 " 1/2 G 10 bar (1000 KPa)	Flow : 0 m³/h	Head : 0 m	Rated speed: 2900 rpm
Project	Project ID	Created by	Created on 13/09/2013	



DIMENSIONAL DRAWING

13/09/2013

Page 3 / 3

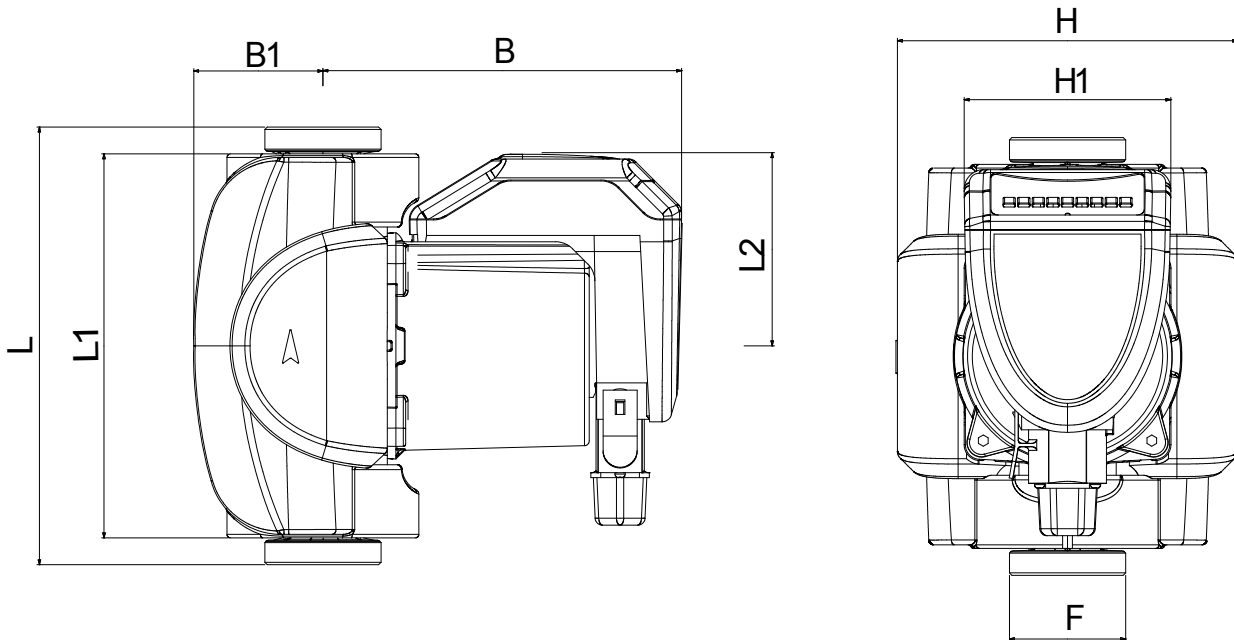
DAB PUMPS S.p.A.
Via Marco Polo, 14 - 35035 Mestrino (PD), Italy
Tel. +39 049 5125000 - Fax +39 049 5125950
www.dabpumps.com

Receiver

From

Company Name
Reference
Address
Phone
Fax
E-mail

EVOTRON 60/180 SOL



Dimensions in mm

Pump connection

1	B	147.5									
2	B1	53									
3	F	1"1/2									
4	H	140									
5	H1	85									
6	L	180									
7	L1	158									
8	L2	79.5									

Suction
1 " 1/2 G
10 bar (1000 KPa)

Discharge
1 " 1/2 G
10 bar (1000 KPa)

Project

Project ID

Created by

Created on

13/09/2013