



# DATA SHEET

13/09/2013

Page 1 / 3

DAB PUMPS S.p.A.  
Via Marco Polo, 14 - 35035 Mestrino (PD), Italy  
Tel. +39 049 5125000 - Fax +39 049 5125950  
www.dabpumps.com

Receiver

From

Company Name  
Reference  
Address  
Phone  
Fax  
E-mail

**Item n° :**  
60143367  
**Model :**  
EVOTRON 60/150 SAN

**Pump data**

Pressure rating : 10 bar (1000 KPa)  
Min. fluid temperature : -10 °C  
Max. fluid temperature : 110 °C

**Minimum suction head :**

Temperature °C 90  
Minimum suction head : m 10

**Requested data**

Flow : 0.00 m³/h  
Head : 0.00 m  
Fluid : Water, pure  
Fluid Temperature : 20 °C  
Density : 998.3 kg/m³  
Kinematic viscosity : 1.005 mm²/s  
Vapor pressure : 100.00 kPa

**Hydraulic data (duty point)**

Flow :  
Head :

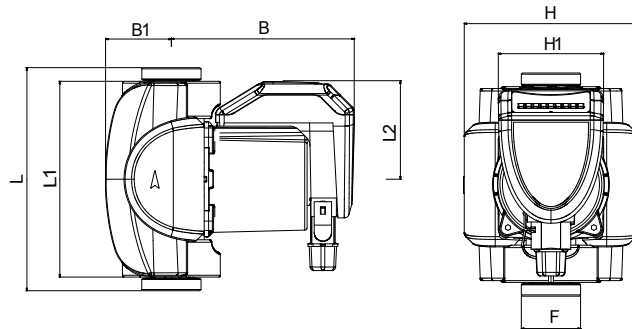
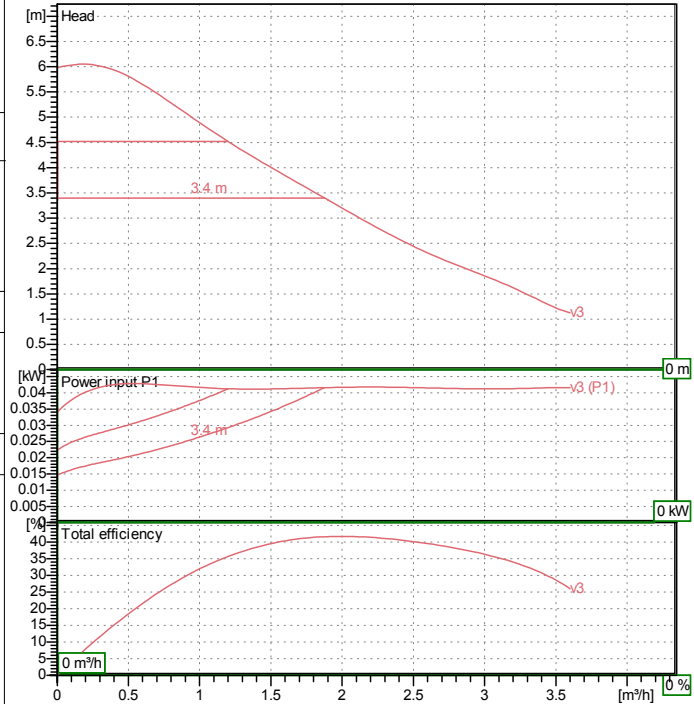
**Materials**

Pump body Bronze  
Impeller Ultrason  
Motor shaft Ceramic  
Closing flange Stainless steel  
Seal ring EPDM  
Stator jacket Stainless steel  
Terminal box Poly carbonate

**Motor data**

Motor brand : DAB  
Power input P1 0.04173 kW  
Rated speed: 2900 rpm  
Rated voltage : 1~ 230 V 50 Hz  
Nominal current : 0.4 A  
Degree of protection : IP 44

**Curve tolerance according to ISO 9906**



**Dimensions in mm**

|    |       |    |      |  |  |  |  |
|----|-------|----|------|--|--|--|--|
| B  | 147.5 | H1 | 85   |  |  |  |  |
| B1 | 53    | L  | 150  |  |  |  |  |
| F  | 1"1/2 | L1 | 158  |  |  |  |  |
| H  | 140   | L2 | 79.5 |  |  |  |  |

**Weight :** 3 kg

**Pump connection**

Suction side 1 " 1/2 G 10 bar (1000 KPa)  
Discharge side 1 " 1/2 G 10 bar (1000 KPa)



# PERFORMANCE CURVES

13/09/2013

Page 2 / 3

DAB PUMPS S.p.A.  
Via Marco Polo, 14 - 35035 Mestrino (PD), Italy  
Tel. +39 049 5125000 - Fax +39 049 5125950  
www.dabpumps.com

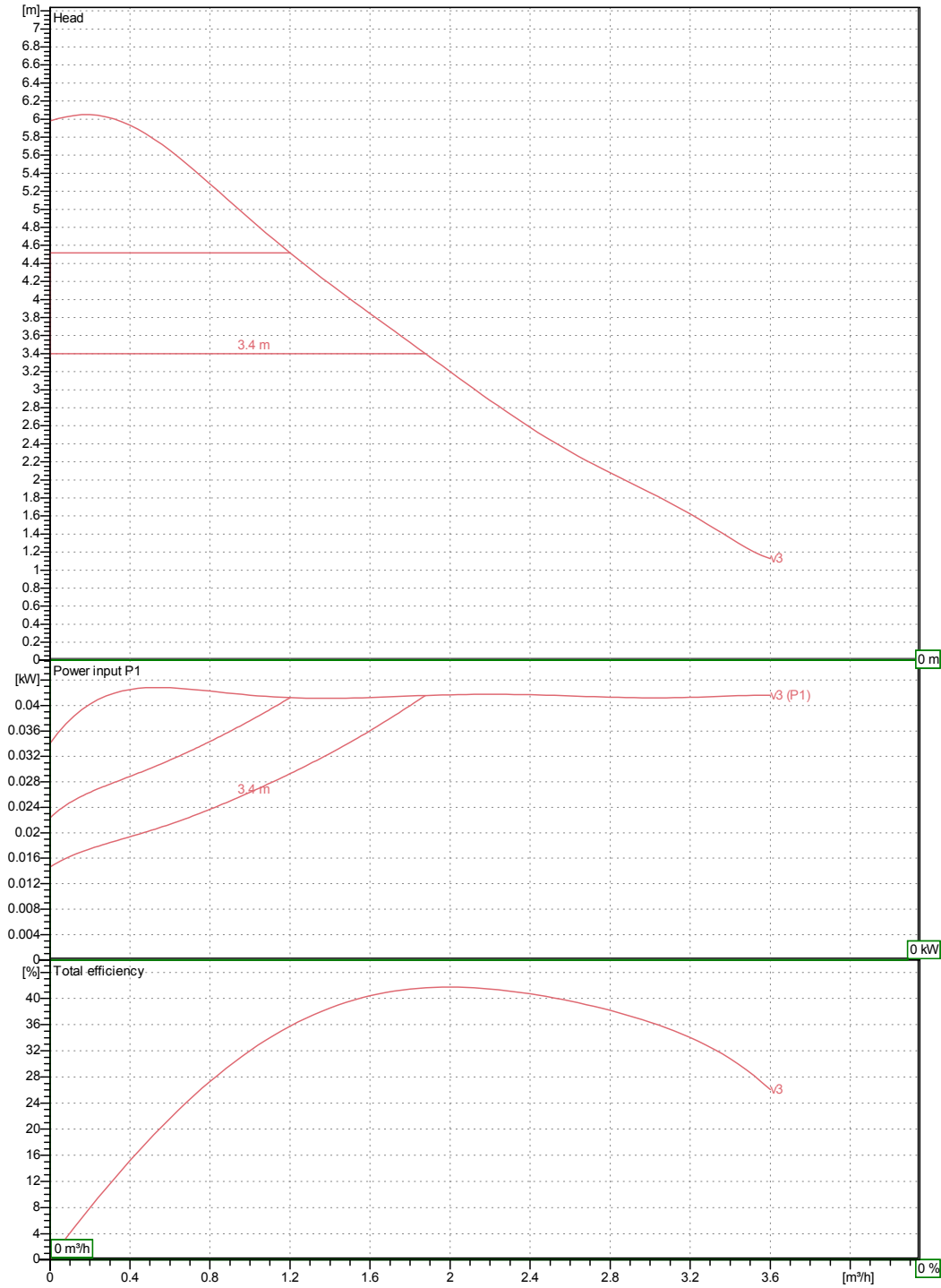
Receiver

From

Company Name  
Reference  
Address  
Phone  
Fax  
E-mail

## EVOTRON 60/150 SAN

Curve tolerance according to ISO 9906



### Hydraulic data (duty point)

|  |  |                  |                                 |                          |
|--|--|------------------|---------------------------------|--------------------------|
| Suction side<br>1 " 1/2 G<br>10 bar (1000 KPa) | Discharge side<br>1 " 1/2 G<br>10 bar (1000 KPa) | Flow :<br>0 m³/h | Head :<br>0 m                   | Rated speed:<br>2900 rpm |
| Project  | Project ID                                       | Created by       | Created on<br><b>13/09/2013</b> |                          |



# DIMENSIONAL DRAWING

13/09/2013

Page 3 / 3

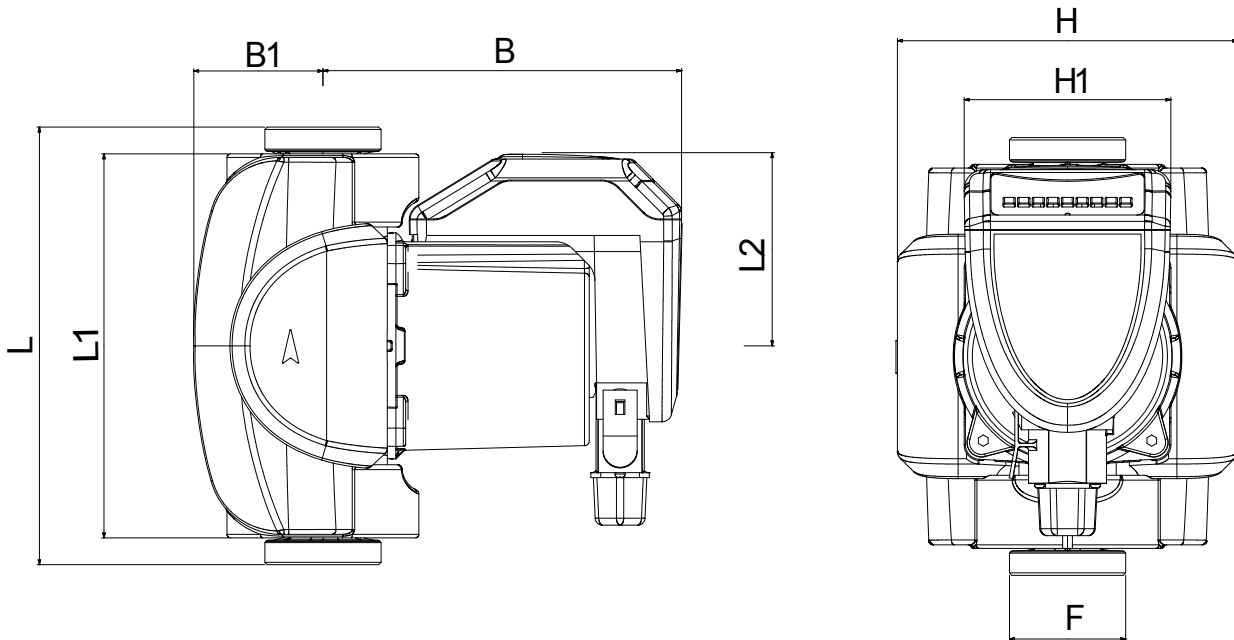
DAB PUMPS S.p.A.  
Via Marco Polo, 14 - 35035 Mestrino (PD), Italy  
Tel. +39 049 5125000 - Fax +39 049 5125950  
www.dabpumps.com

Receiver

From

Company Name  
Reference  
Address  
Phone  
Fax  
E-mail

## EVOTRON 60/150 SAN



### Dimensions in mm

### Pump connection

|   |    |       |  |  |  |  |  |  |  |  |  |
|---|----|-------|--|--|--|--|--|--|--|--|--|
| 1 | B  | 147.5 |  |  |  |  |  |  |  |  |  |
| 2 | B1 | 53    |  |  |  |  |  |  |  |  |  |
| 3 | F  | 1"1/2 |  |  |  |  |  |  |  |  |  |
| 4 | H  | 140   |  |  |  |  |  |  |  |  |  |
| 5 | H1 | 85    |  |  |  |  |  |  |  |  |  |
| 6 | L  | 150   |  |  |  |  |  |  |  |  |  |
| 7 | L1 | 158   |  |  |  |  |  |  |  |  |  |
| 8 | L2 | 79.5  |  |  |  |  |  |  |  |  |  |

Suction  
1 " 1/2 G  
10 bar (1000 KPa)

Discharge  
1 " 1/2 G  
10 bar (1000 KPa)

Project

Project ID

Created by

Created on

13/09/2013